



## Introducing TIDAPARS Company

- TIDAPARS industrial group has established in 2007 in companies registration organization in Iran.
- Member of the gold association of agricultural machinery “Agrivolution”.
- TIDAPARS main field of activity is designing and manufacturing of greenhouse and industrial machinery.
- TIDAPARS has exported its products to Turkmenistan, Iraq, Qatar, Kazakhstan, Tajikistan and Azerbaijan.





**TIDAPARS Industrial Group**  
Manufacturer of the most complete package of greenhouse machines





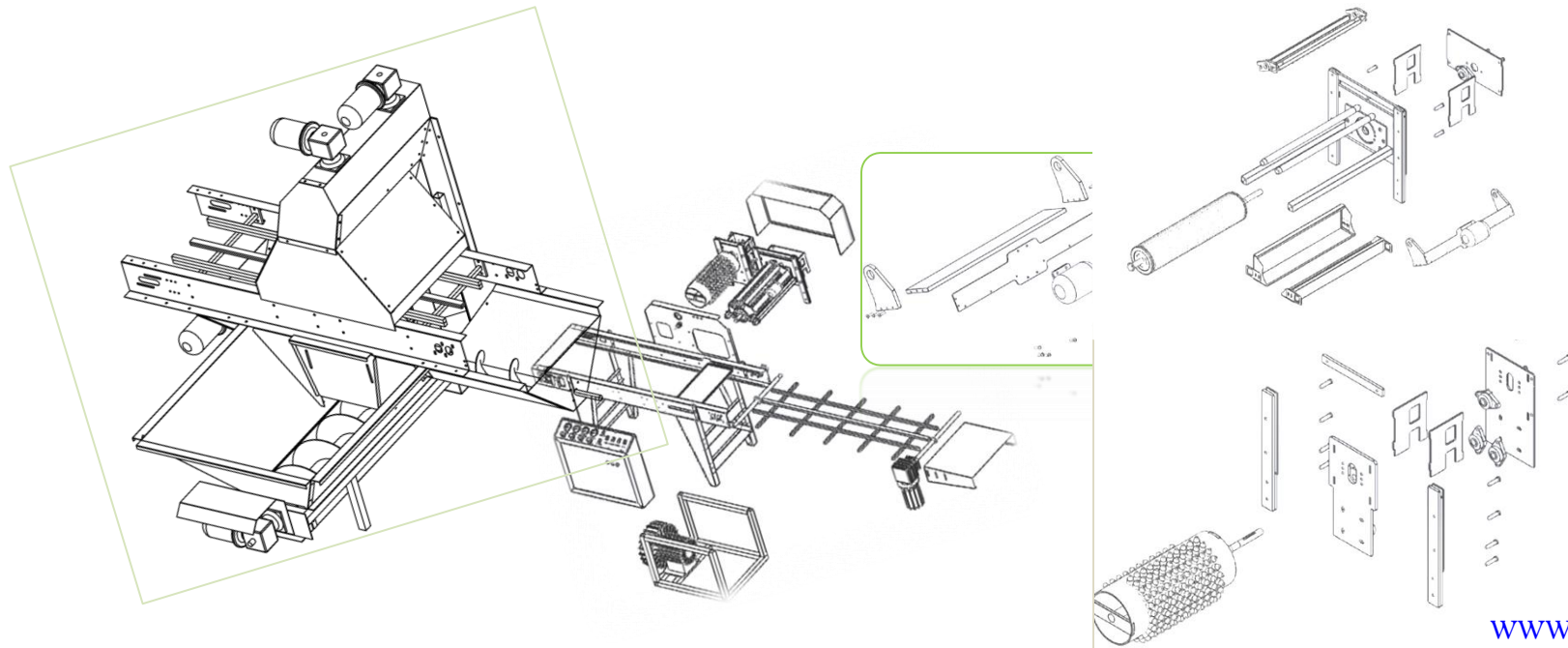
## Automatic greenhouse Seeding Machine



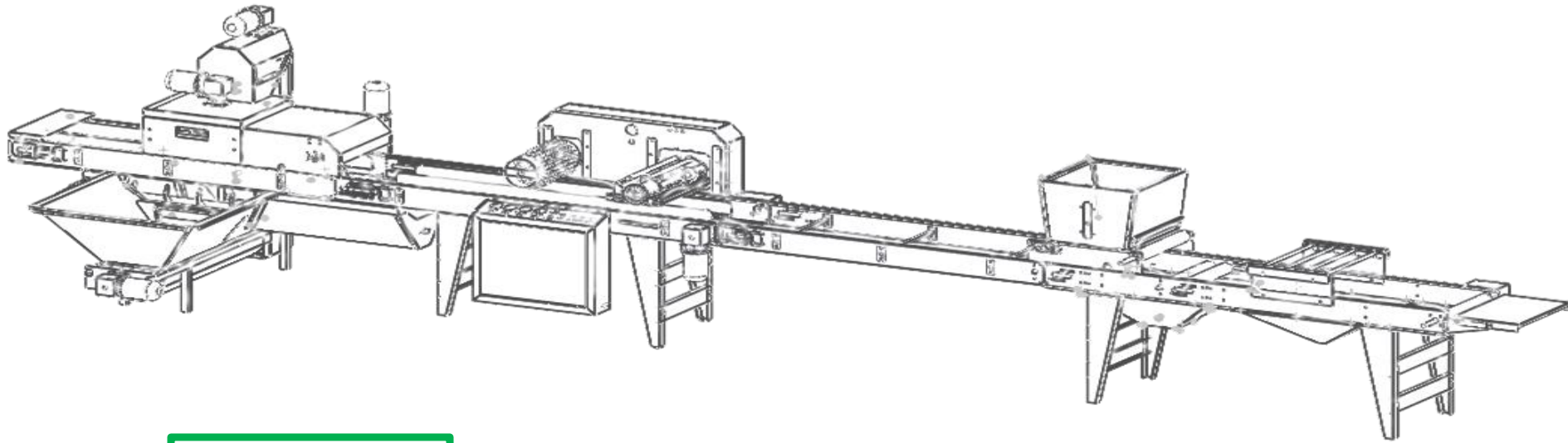
[WWW.TIDAPARS.COM](http://WWW.TIDAPARS.COM)

9904823436

# Automatic Nursery Seeding Machine



# Automatic Nursery Seeding Machine

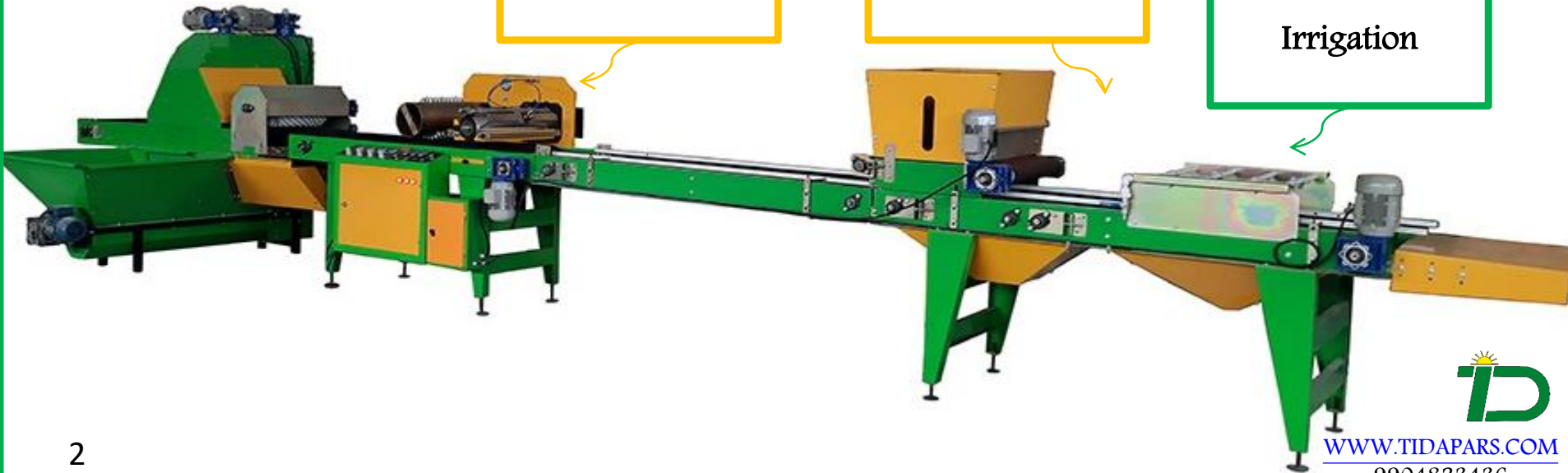


Tray filler

Drum seeder

Covering

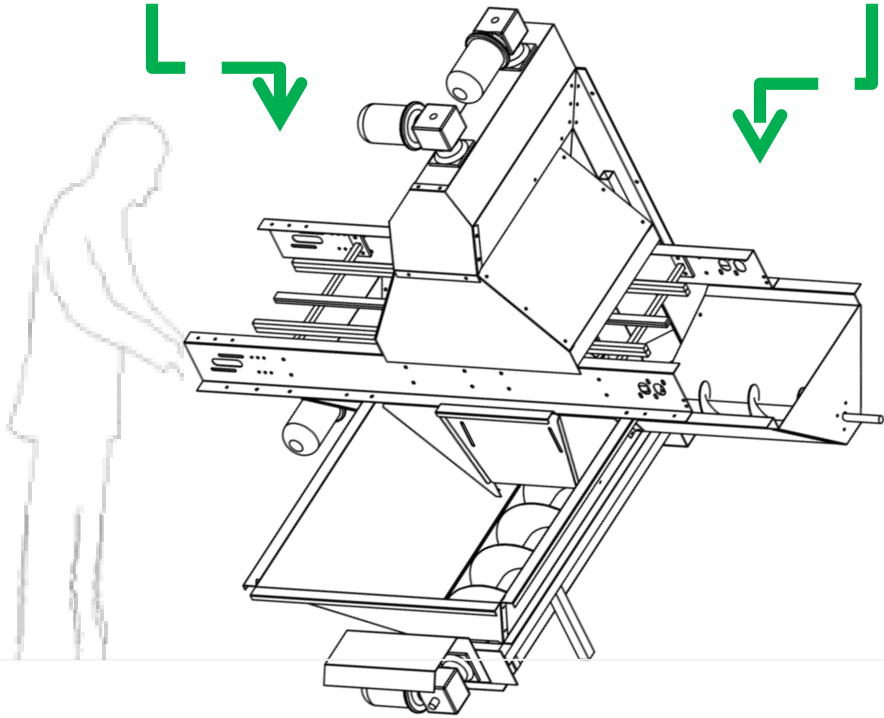
Irrigation





Stocker down

Soil Filling

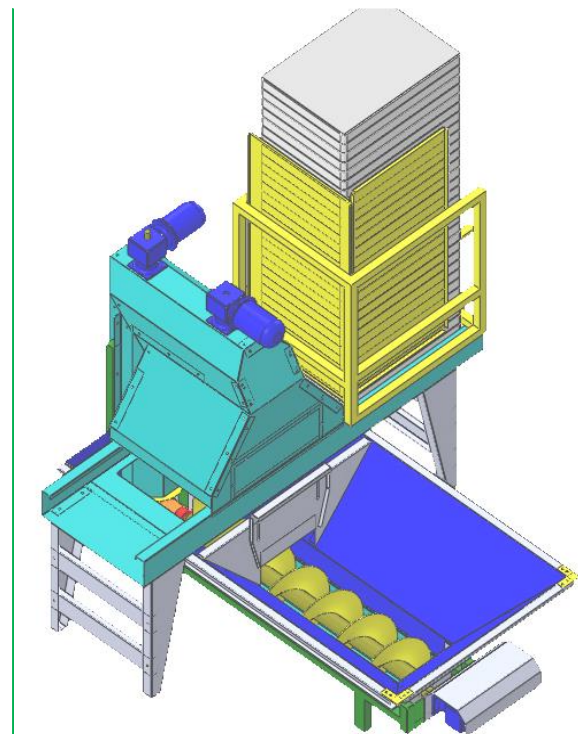




Stocker  
down



- Pneumatic
- 50 kg capacity



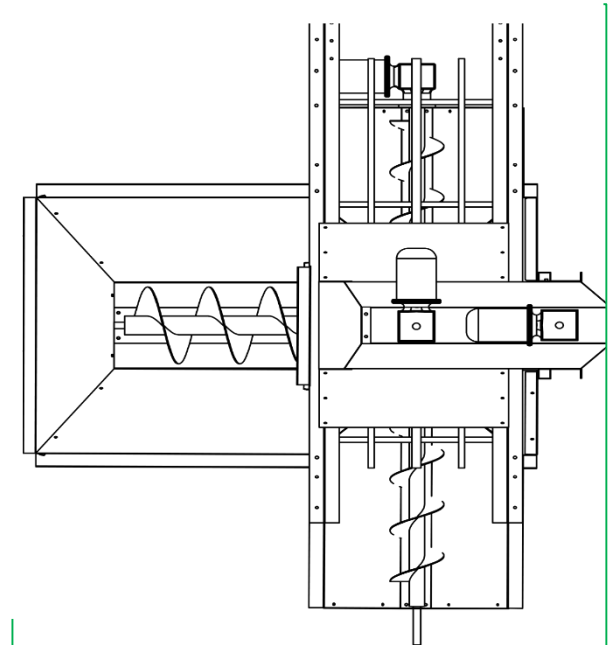
- ❑ Special for Styrofoam trays







- ❑ Uniform in soil coverage
- ❑ Helical mixer
- ❑ No bridge formation in the hopper



- Resistant to crushing and pressure
- The composition of the components of the culture medium
- 550 liter tank

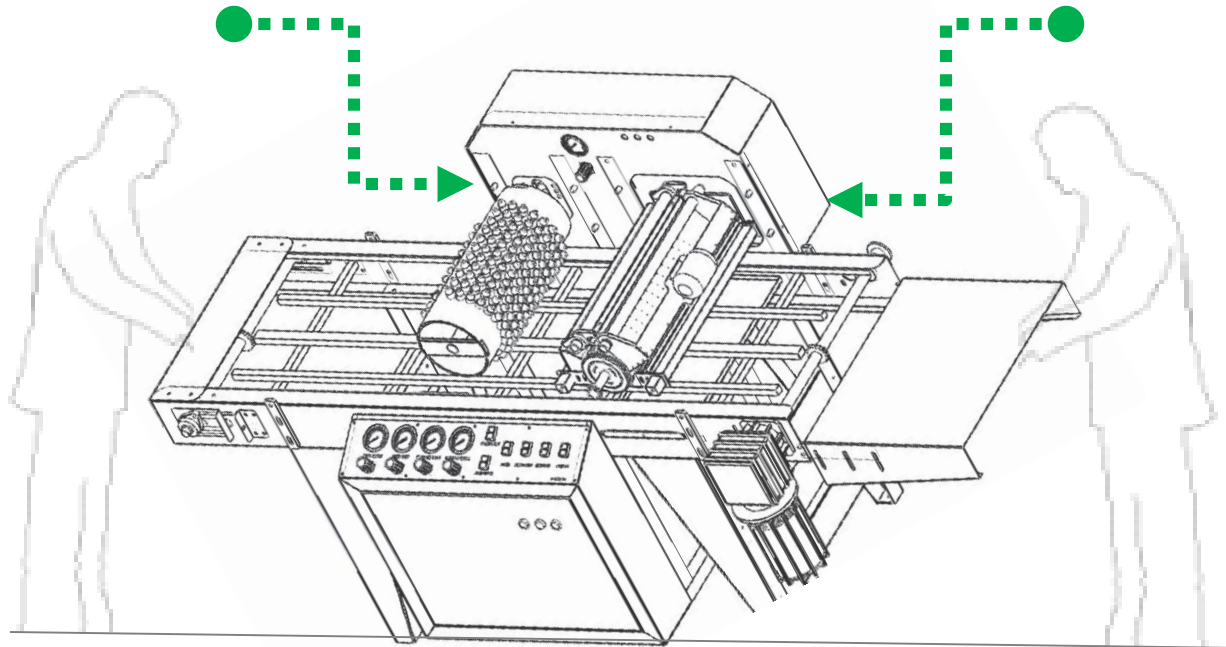


- ❑ Uniform and complete filling of all tray cavities



Impressing

Drum seeder

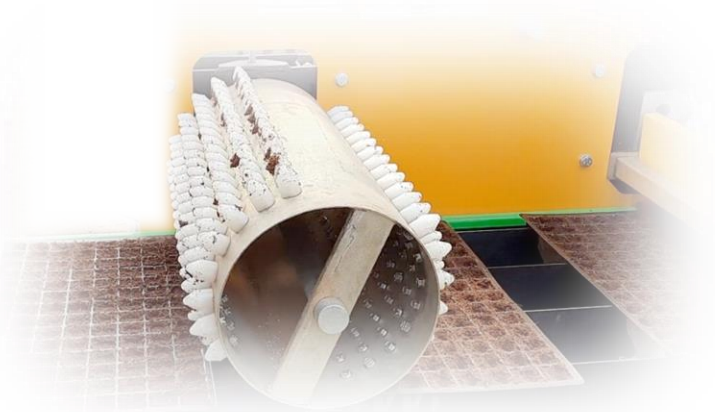
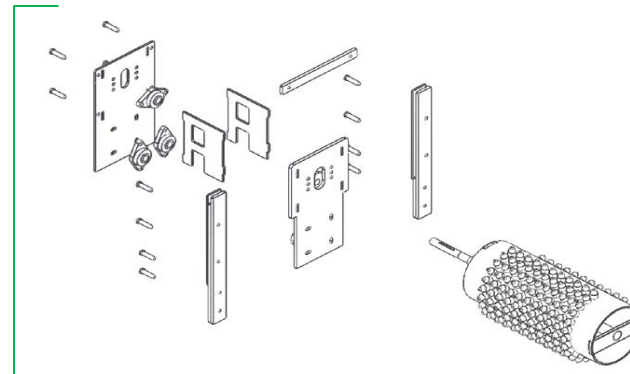




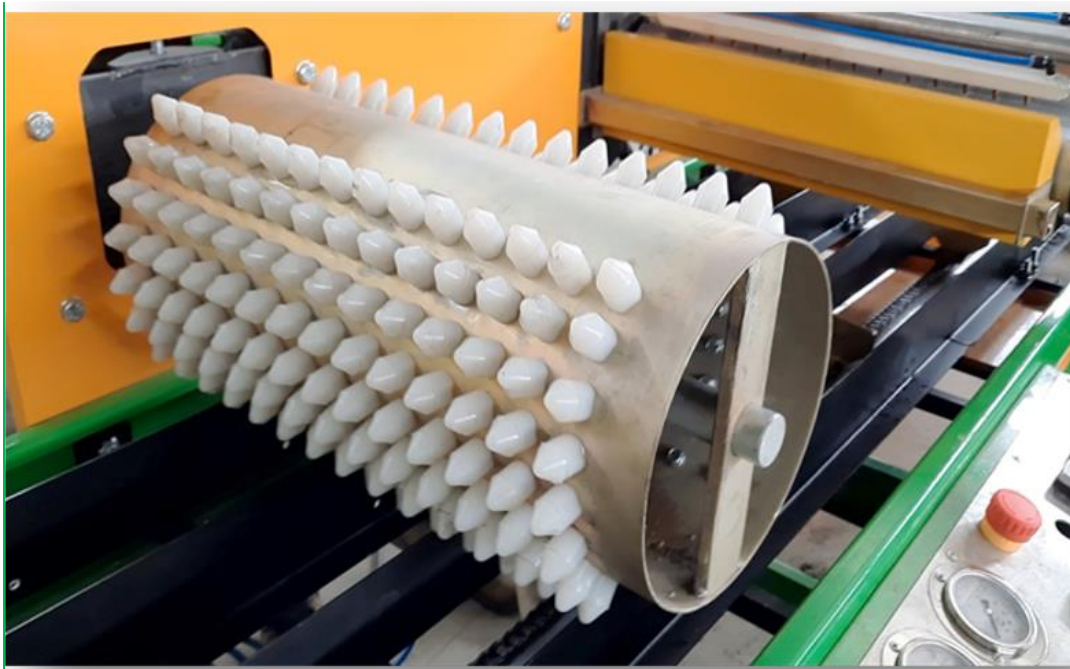


Impressing

- Seed culturing depth
- Compression on the surface of the trays
- Types of seeds



- ❑ Creating a hole in the center of the cell
- ❑ Chain transmission mechanism



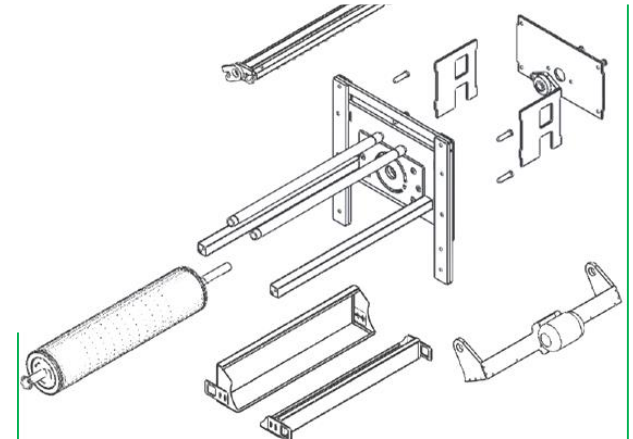
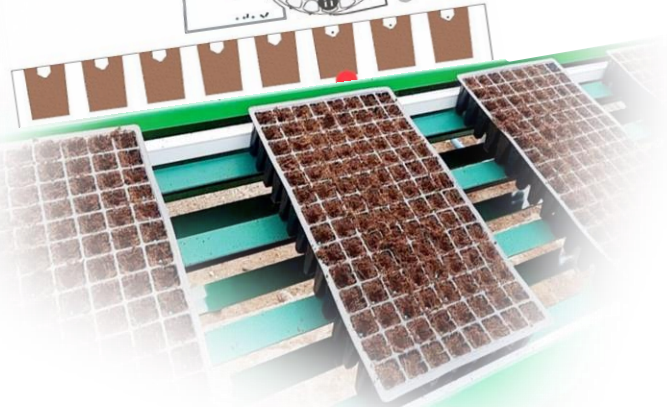
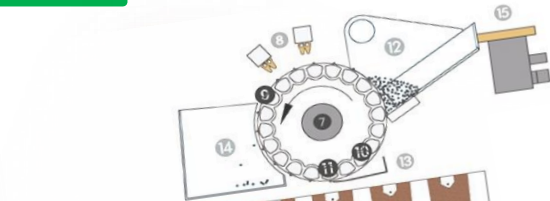
- Suitable for all types of trays
- No damage or pressure to the tray





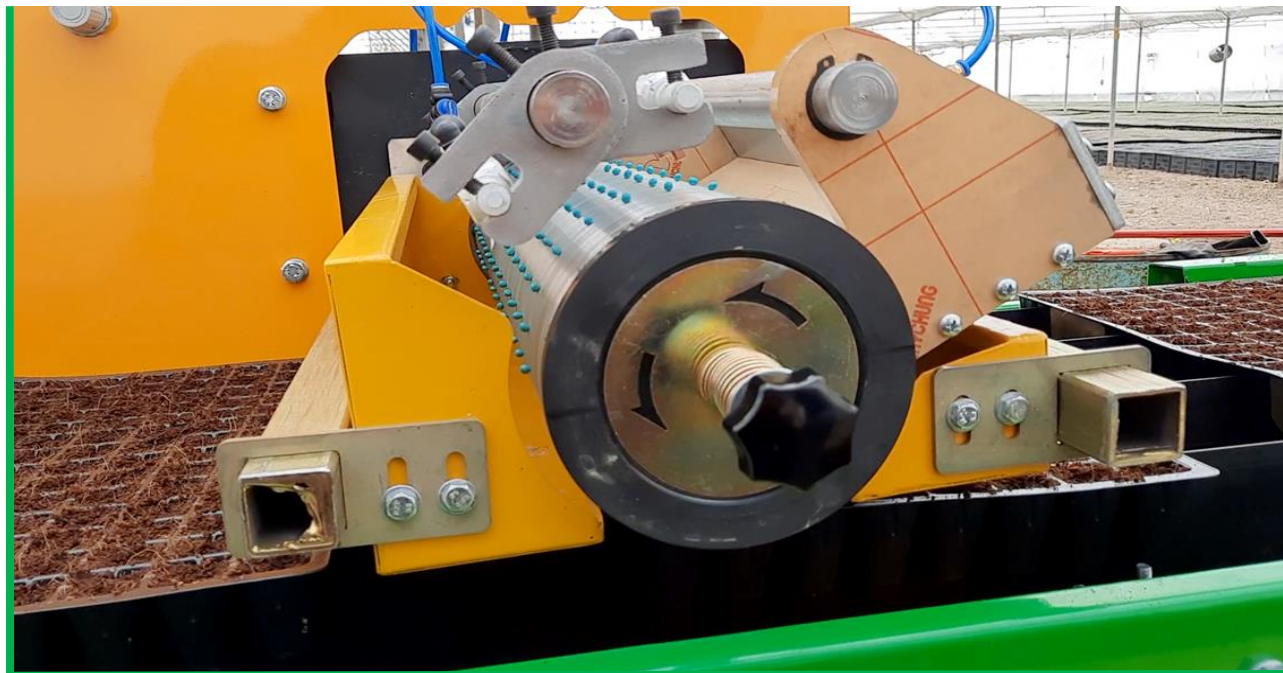
Seeding  
drum

- No seed wastage
- 4 trays for collecting seeds
- Seed size variation





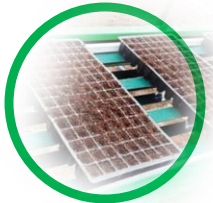
- ❑ Adjusting system of the air pressure for the seed to fall
- ❑ The ability to adjust vacuum pressure
- ❑ Preventing multiple planting and non planting of seeds



- ❑ 18 labor force = 1 hour
- ❑ 1200-3600 trays per hour
- ❑ Coated and no -coated seed culturing



- ❑ To check and culture seeds in empty holes



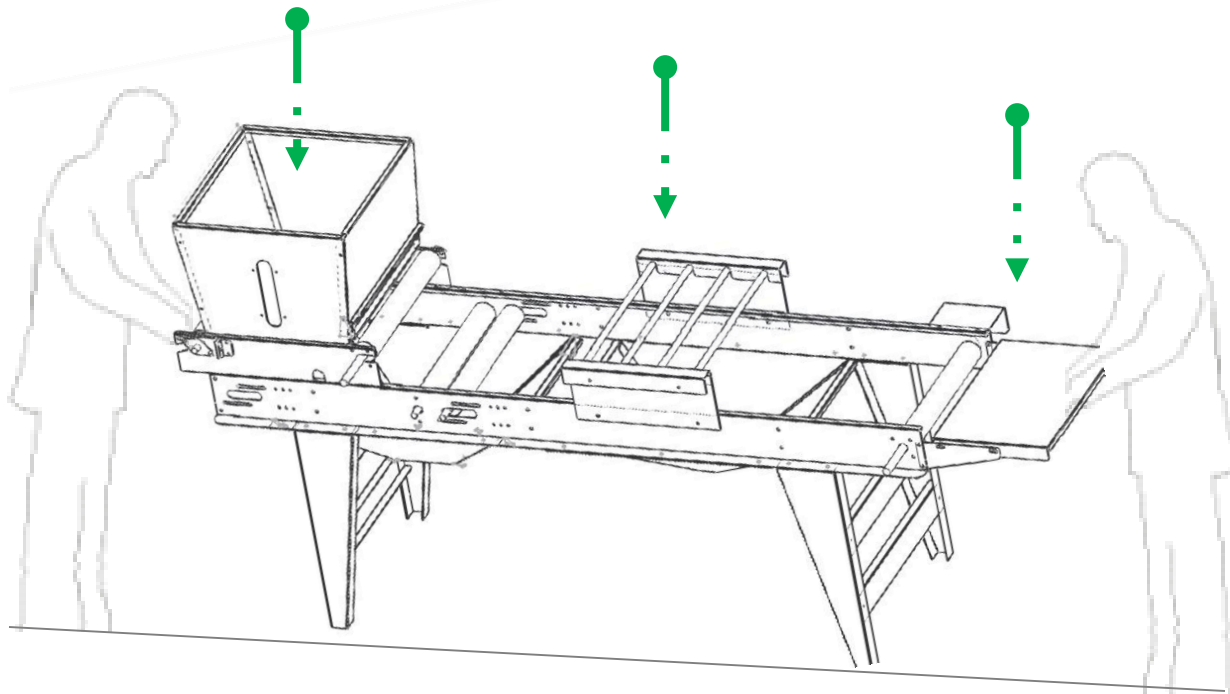
Replanting  
table



Covering

Irrigation

stack up

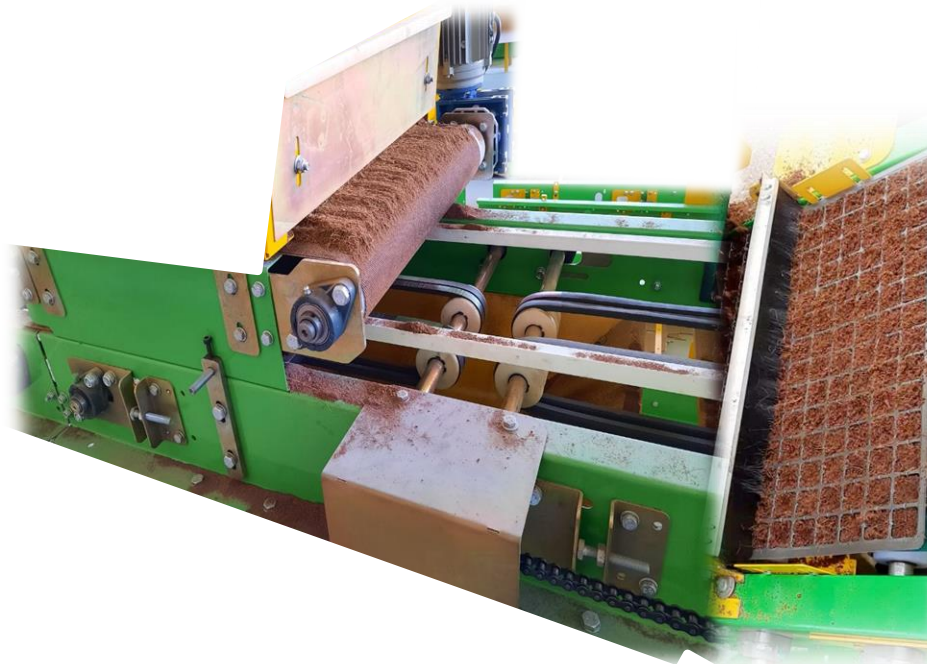






Covering

- Powdery and light soil
- Fixing the seed in the culturing position



- The ability to adjust the output valve of the amount of soil
- The glass part of the check tank



- Uniform in the irrigation of cells
- Adjust the water pressure
- Adjusting the volume of water output



Irrigation



- Four row irrigation
- Automatic irrigation

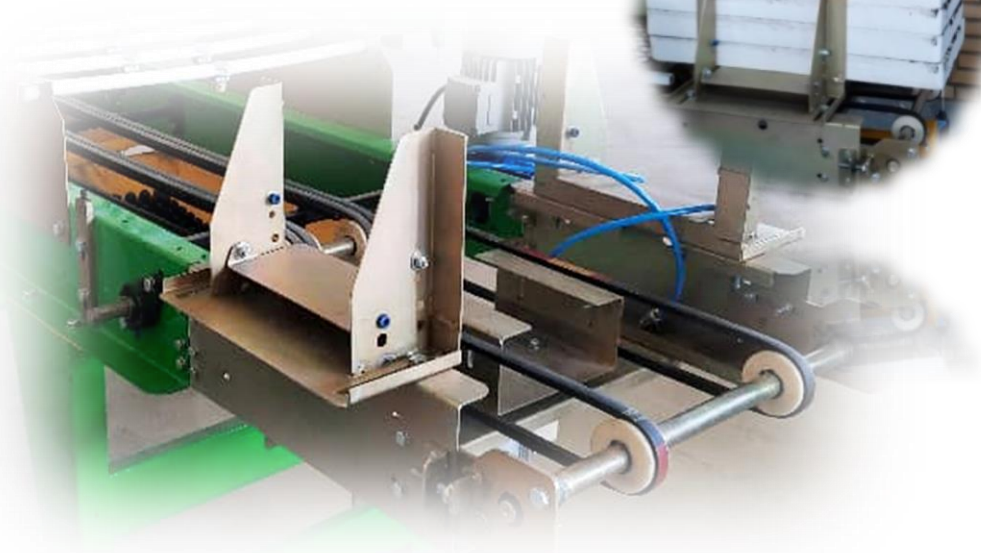






stack up

- Pneumatic jacks
- 50 kg capacity





تیداپارس

گروه صنعتی

از ۱۳۸۶

Tel: 00989904823436

WWW.TIDAPARS.COM



TIDAPARS



E-Mail: [Info@tidapars.com](mailto:Info@tidapars.com)

Central Office: No 9, Towhid Sq, KARAJ, IRAN / Postal code: 3134854224

Factory Address: No 11, Street 5, MAHDASHT, KARAJ, IRAN / Postal code: 3189743854